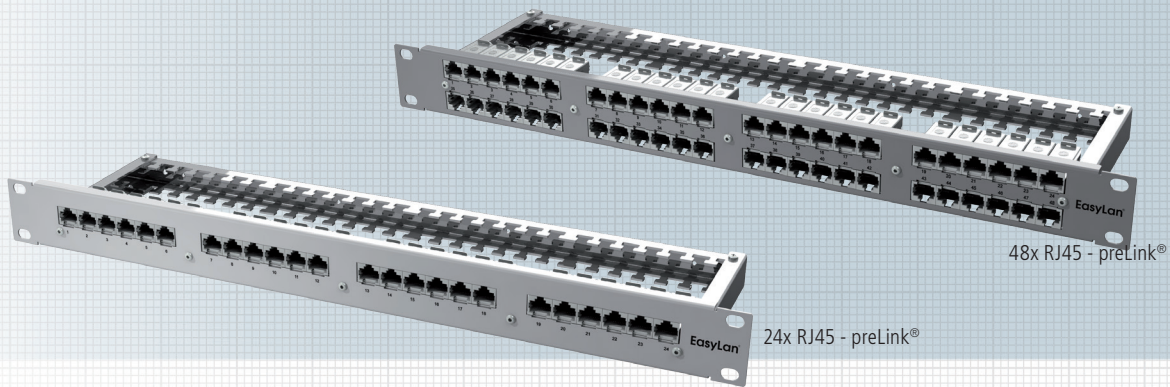


preLink® DC Panel 19" 1U, Cat. 6_A ISO/IEC Cat. 6A EIA/ITA, Class EA, with L.E.O. Function



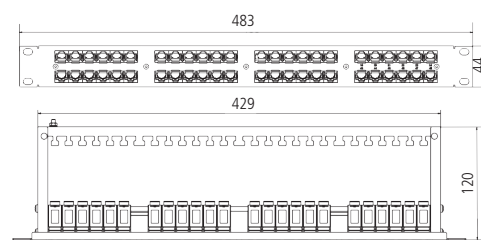
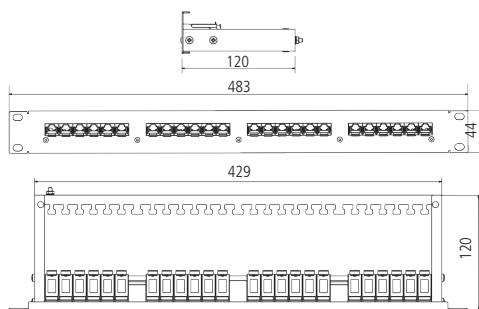
For the preLink® Data Center patch panel Cat. 6A EIA/ITA the data center modules come pre-mounted on a rail and need only be finalized with the relevant cable terminal block. Here, we particularly recommend the pre-assembled data center solutions, which may be ordered as single or multiple cable.

The "Light-Emitting-Outlet" (L.E.O.) allows you to easily identify matching cable ends using a detector. The con-

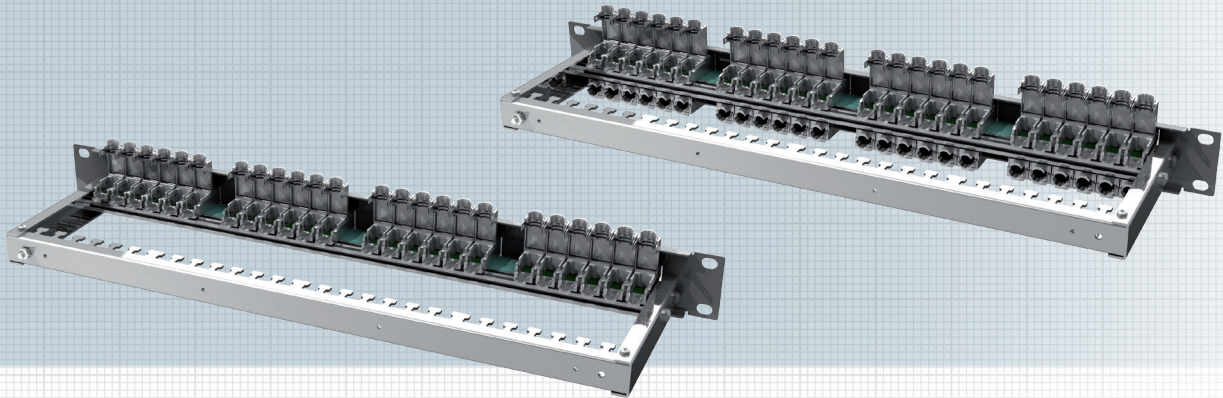
nections on both sides can be made to emit light even in the case of patched data links. This function works with all common, shielded data cables.

This works with all standard shielded data cables. Due to their slim design, the die-cast zinc socket modules are especially suitable for densely packed data center panels with up to 48 ports in 1U.

Packaging unit: 1 pc. per box



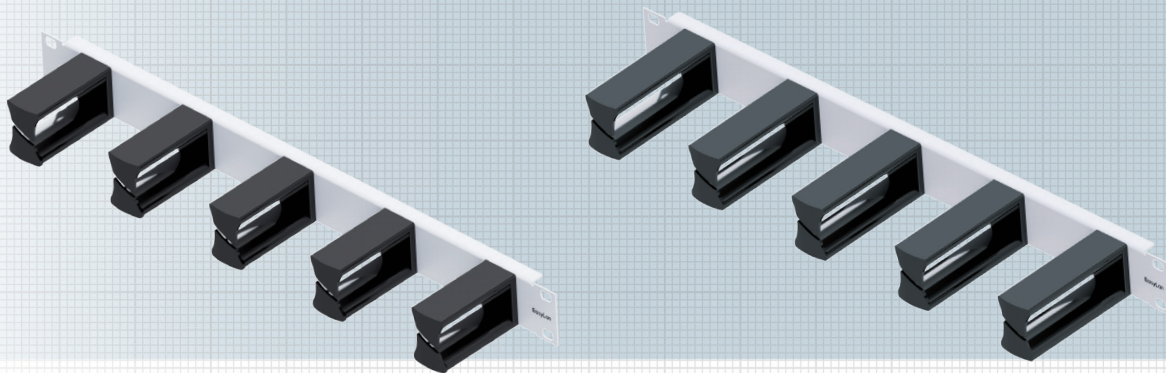
Designation	Order No.
preLink® DC-Panel 19" 1U 24x RJ45 Cat.6 _A (ISO/IEC), with Cable Termination AWG 24-22	CKRASP111E
preLink® DC-Panel 19" 1U 24x RJ45 Cat.6 _A (ISO/IEC), with Cable Termination AWG 27-26	CKRASP161E
preLink® DC-Panel 19" 1U 48x RJ45 Cat.6 _A (ISO/IEC), with Cable Termination AWG 24-22	CKRASP611E
preLink® DC-Panel 19" 1U 48x RJ45 Cat.6 _A (ISO/IEC), with Cable Termination AWG 27-26	CKRASP661E
preLink® DC-Panel L.E.O. 19" 1U 24x RJ45 Cat.6A (EIA/TIA), with Cable Termination AWG 24-22	CKRESL111E
preLink® DC-Panel L.E.O. 19" 1U 24x RJ45 Cat.6A (EIA/TIA), with Cable Termination AWG 27-26	CKRESL161E
preLink® DC-Panel L.E.O. 19" 1U 48x RJ45 Cat.6A (EIA/TIA), with Cable Termination AWG 24-22	CKRESL611E
preLink® DC-Panel L.E.O. 19" 1U 48x RJ45 Cat.6A (EIA/TIA), with Cable Termination AWG 27-26	CKRESL661E
preLink® L.E.O. Detector	CKZWD001



Technical Data

	RJ 45 Shielded, Cat. 6 _A ISO/IEC	RJ 45 Shielded L.E.O. Cat. 6A EIA/TIA
Connector standard	IEC 60603-7-51	IEC 60603-7-51
Mechanical characteristics		
Fitting dimension	19" 1U	19" 1U
Mating cycles (RJ 45 side)	≥ 750	≥ 750
Mating cycles (other side)	≥ 100	≥ 100
Material Housing	Steel plate nickel-plated and powder coated	Steel plate nickel-plated and powder coated
Gold plating in contact area	50 μm	50 μm
Wire termination	AWG 27-22	AWG 27-22
Cable diameter	5 - 9.5 mm	5 - 9.5 mm
Environmental requirements		
IP rating	IP 20	IP 20
Temperature range	-40°C to +70°C	-40°C to +70°C
Electrical characteristics		
Current rating at 50°C	1.25 A	1.25 A
PoE+ according to IEEE 802.3at	PoE+	PoE+
Technical transfer characteristics		
10 Gbit	Supported	Supported
Cat. 6A	Cat. 6 _A ISO/IEC AM1 and AMD2, link length > 5m	Cat. 6A EIA/TIA 568B.2-10
L.E.O. Function:		
Input terminal voltage	--	12 V AC
Light recognition	--	≥ 100 m

Routing Panel 19" with 5 plastic clamps

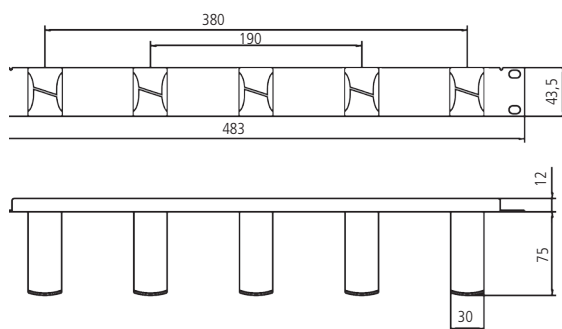


Routing Panel 19" 1U 75mm

Routing Panel 19" 1U, 5 cable clamps of plastic. Used for routing of jumpers in 19" cabinet observing bending radius for fiber optic cables.

Characteristics

Material	Steel plate, powder coated
Color	Gray, RAL7035
Range of application	Installation in 19" Cabinet
Material cable clamp	Polycarbonate
Length cable clamp	75mm
Description	5 cable clamps of plastic on Carrier panel 19"
Packaging unit	1 piece per box

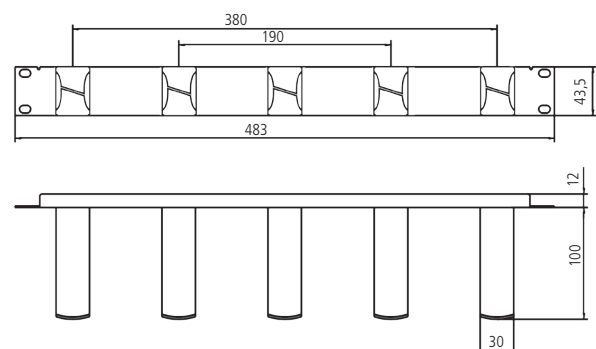


Routing Panel 19" 1U 100mm

Routing Panel 19" 1U, 5 cable clamps of plastic. Used for routing of jumpers in 19" cabinet observing bending radius for fiber optic cables.

Characteristics

Material	Steel plate, powder coated
Color	Gray, RAL 7035
Range of application	Installation in 19" Cabinet
Material cable clamp	Polycarbonate
Length cable clamp	100mm
Description	5 cable clamps of plastic on Carrier panel 19"
Packaging unit	1 piece per box



Designation

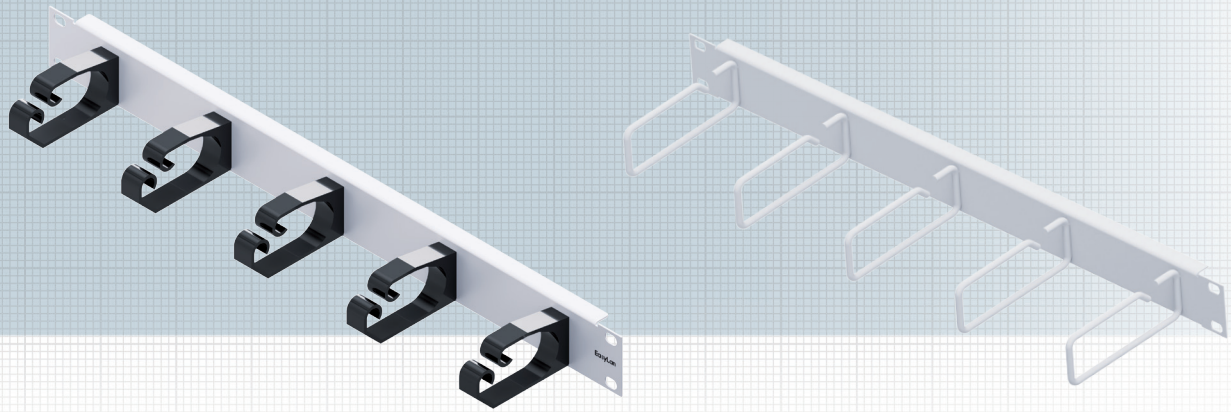
Routing Panel 1U with 5 plastic clamps 75mm, RAL 7035
 Routing Panel 1U with 5 plastic clamps 100mm, RAL 7035

Order No.

AVR5KSTD1E
 AVR5KSTE1E

Routing Panel 19" with 5 cable clamps

IN STOCK



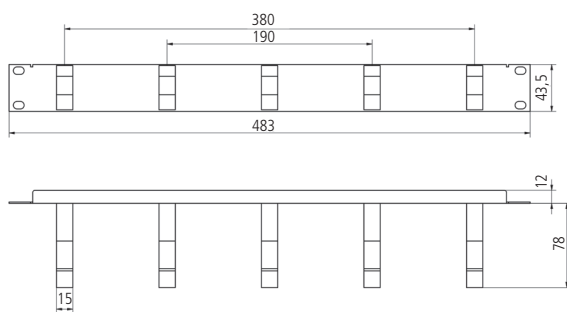
Routing panel / Installation, 19" 1U

Routing panel / Installation, 19" 1U, 5 Plastic cable clamps

Routing panel for routing of jumpers in 19" cabinet – Built-in version

Characteristics

Material	Steel plate, powder coated
Color	Gray, RAL 7035 (standard) – other colors on request
Range of application	Installation in 19" Cabinet
Description	5 cable clamps of Plastic on Carrier panel 19"
Bracket material	glass fiber reinforced plastic (PA 6.6)
Packaging unit	1 piece per box



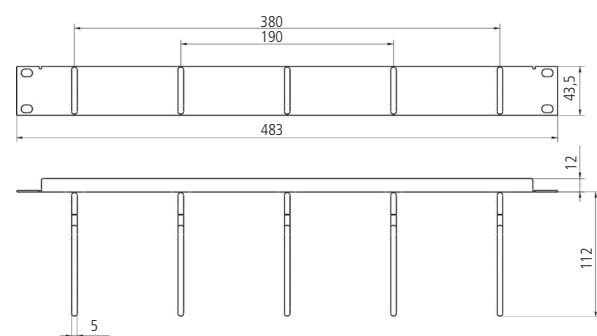
Routing panel / Installation, 19" 1U

Routing panel / Installation, 19" 1U, 5 Steel cable clamps

Routing panel for routing of jumpers in 19" cabinet – Built-in version

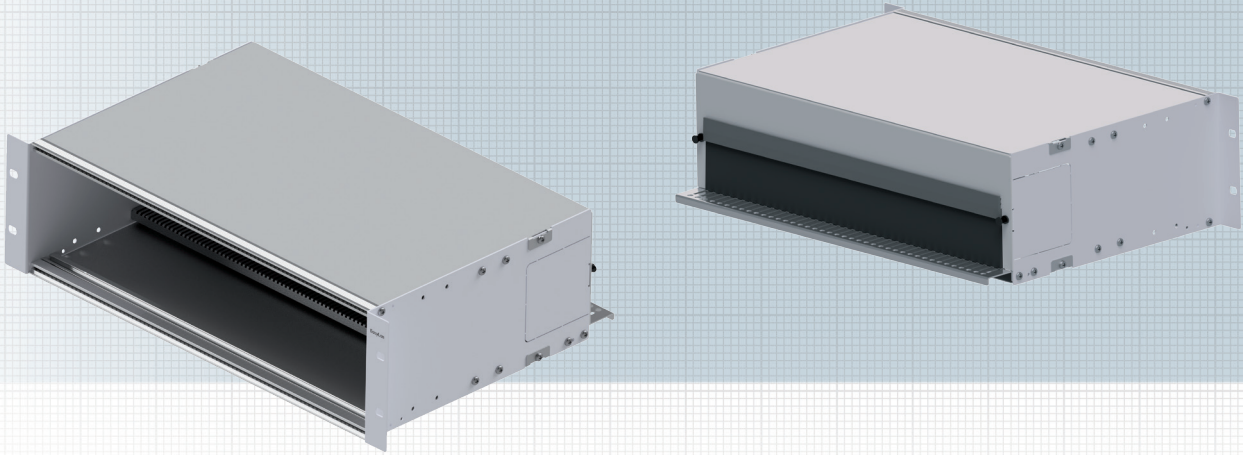
Characteristics

Material	Steel plate, powder coated
Color	Gray, RAL 7035 (standard) – other colors on request
Range of application	Installation in 19" Cabinet
Description	5 cable clamps of steel on Carrier panel 19"
Bracket material	steel
Packaging unit	1 piece per box



Designation	Order No.
Routing Panel 1U with 5 cable clamps of Plastic 78mm long, RAL 7035	AVR5KSTB1E
Routing Panel 1U with 5 cable clamps of Steel 60mm long, RAL 7035	AVR5METB1E
Routing Panel 1U with 5 cable clamps of Steel 110mm long, RAL 7035	AVR5METC1E

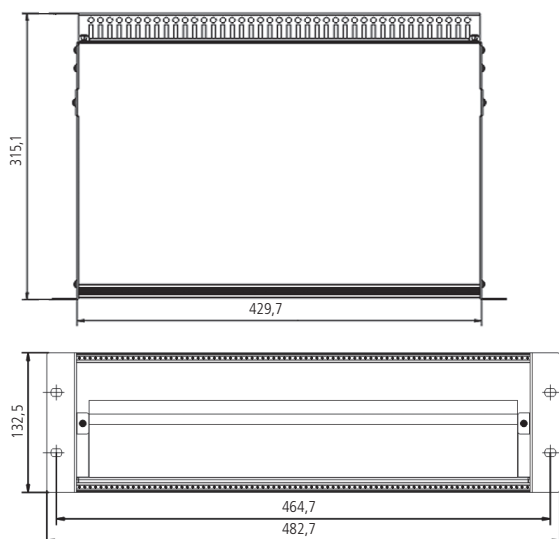
Modul Rack (MR) 19" 3U, 7HP for 12x Slot Modules



Module holder (CR) for use with 7 depth-unit slot modules in copper and FO. The slot modules are fastened to the module holder from the panel side using 2 screws. The slot modules can be completely pulled out of the module holder. A maximum of 12 x 7 depth-unit slot modules (72 ports) can be mounted in the module holder.

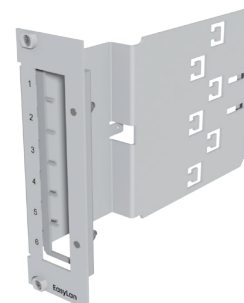
Characteristics

Material	Steel plate Nickel-plated and Heat-treated
Color	Gray, RAL 7035 Cover: Metallic Luster
Installation depth	315.1 mm
Keystone modules	For max. 72 Ports divided among 12 slot modules
Range of application	Limited cabinet space, high flexibility, individual extensions, e.g. in data centers
Packaging	1 piece per box



Matching slide-in module:

preLink®/fixLink® Keystone slide-in module
7HP, gray RAL 7035, page 29



Designation

Modul Rack (MR) 19" 3U, 7HP for max. 12x Slot Modules

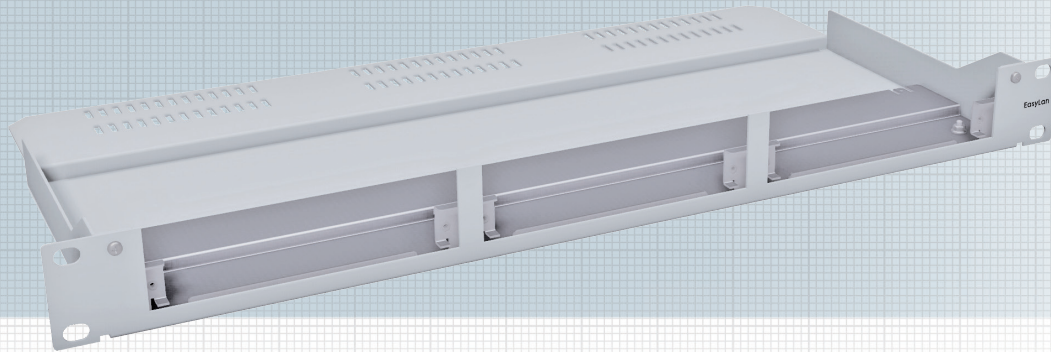
Dummy Plate for Modul Rack (MR) and Side-Modul Rack (S-MR), 7HP, Aluminium

Order No.

AVM10003

AVMB00001E

Modul Rack (MR) 19" 1U, for 3x Slot Modules

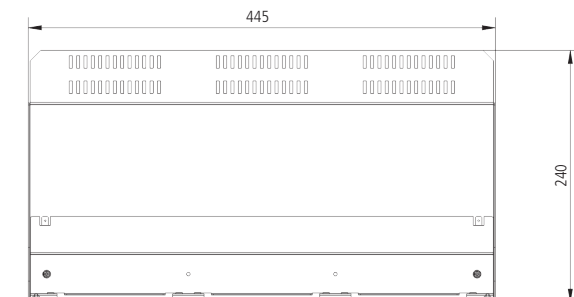
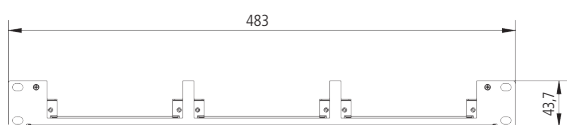


Module holder (CR) for use with 7HP insert modules in copper and FO. The insert modules are fastened to the module holder from the panel side using 2 screws. The insert modules can be completely pulled out of the module holder. A maximum of 3 x 7HP insert modules (18 ports) can be mounted in the module holder.

Mounting material and Keystone modules are not included!

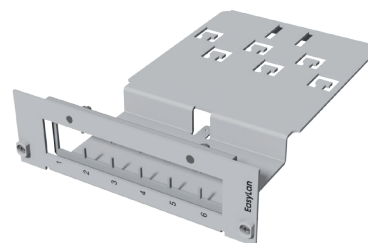
Characteristics

Material	Steel plate Nickel-plated and Heat-treated
Color	Gray, RAL 7035 Cover: Metallic Luster
Installation depth	250 mm
Keystone modules	For max. 18 Ports divided among 3 slot modules
Range of application	Limited cabinet space, high flexibility, individual extensions, e.g. in data centers
Packaging	1 piece per box



Matching slide-in module:

preLink®/fixLink® Keystone slide-in module
7HP, gray RAL 7035, page 29



Designation

Modul Rack (MR) 19" 1U, for max. 3x Slot Modules
Dummy Plate for Modul Rack (MR) and Side-Modul Rack (S-MR), 7HP, Aluminium

Order No.

AVM113001E
AVMB00001E

Modul Rack (S-MR) 19" 3U, for 2x Slot Modules

IN STOCK



Side module holder (S-CR) for use with 7HP insert modules in copper and FO. The plug-in modules are fastened to the module holder from the panel side using 2 screws. The plug-in modules can be completely pulled out of the module holder. A maximum of 2 x 7HP insert modules (12 ports) can be mounted in the module holder. The side module holder (S-CR) is affixed on the lateral cabinet perforation. This makes mounting simple and fast. Side-mounting of the cabinet makes it possible to perform cabling in space-saving manner while enhancing climate control and without impacting the air flow.

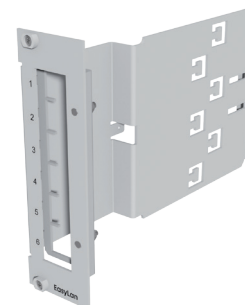
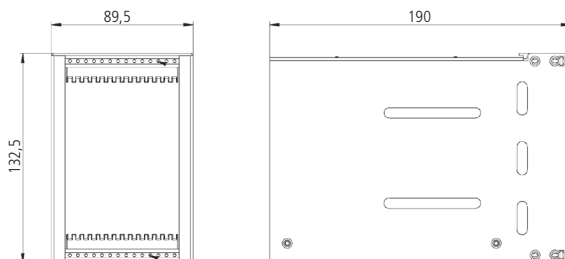
Mounting material and Keystone modules are not included!

Characteristics

Material	Steel plate Nickel-plated and Heat-treated
Color	Gray, RAL 7035
Installation depth	190 mm
Keystone modules	For max. 12 Ports divided among 2 slot modules
Range of application	Limited cabinet space, high flexibility, individual extensions, e.g. in data centers
Packaging	1 piece per box

Matching slide-in module:

preLink®/fixLink® Keystone slide-in module
7HP, gray RAL 7035, page 29



Designation

Modul Rack (S-MR) 19" 3U, for max. 2 Slot Modules

Dummy Plate for Modul Rack (MR) and Side-Modul Rack (S-MR), 7HP, Aluminium

Order No.

AVMS10001E

AVMB00001E